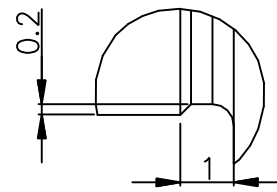
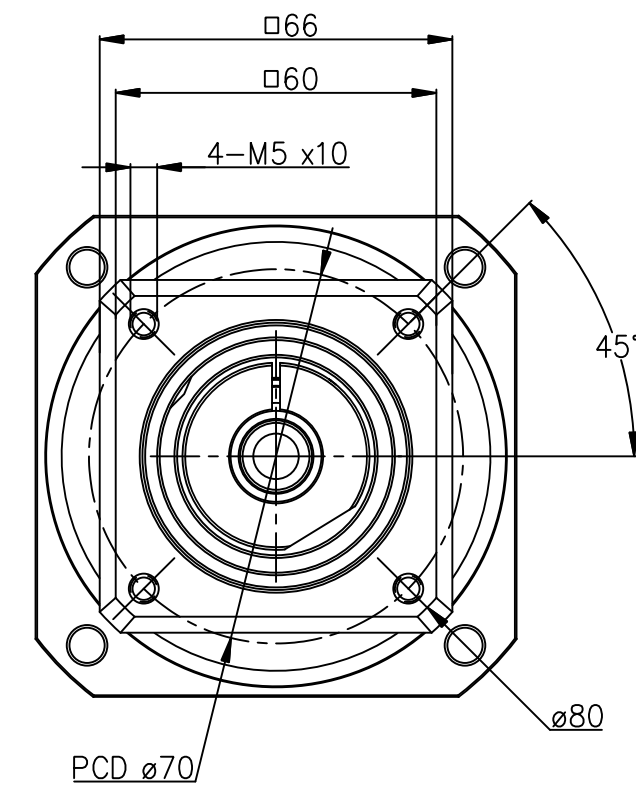
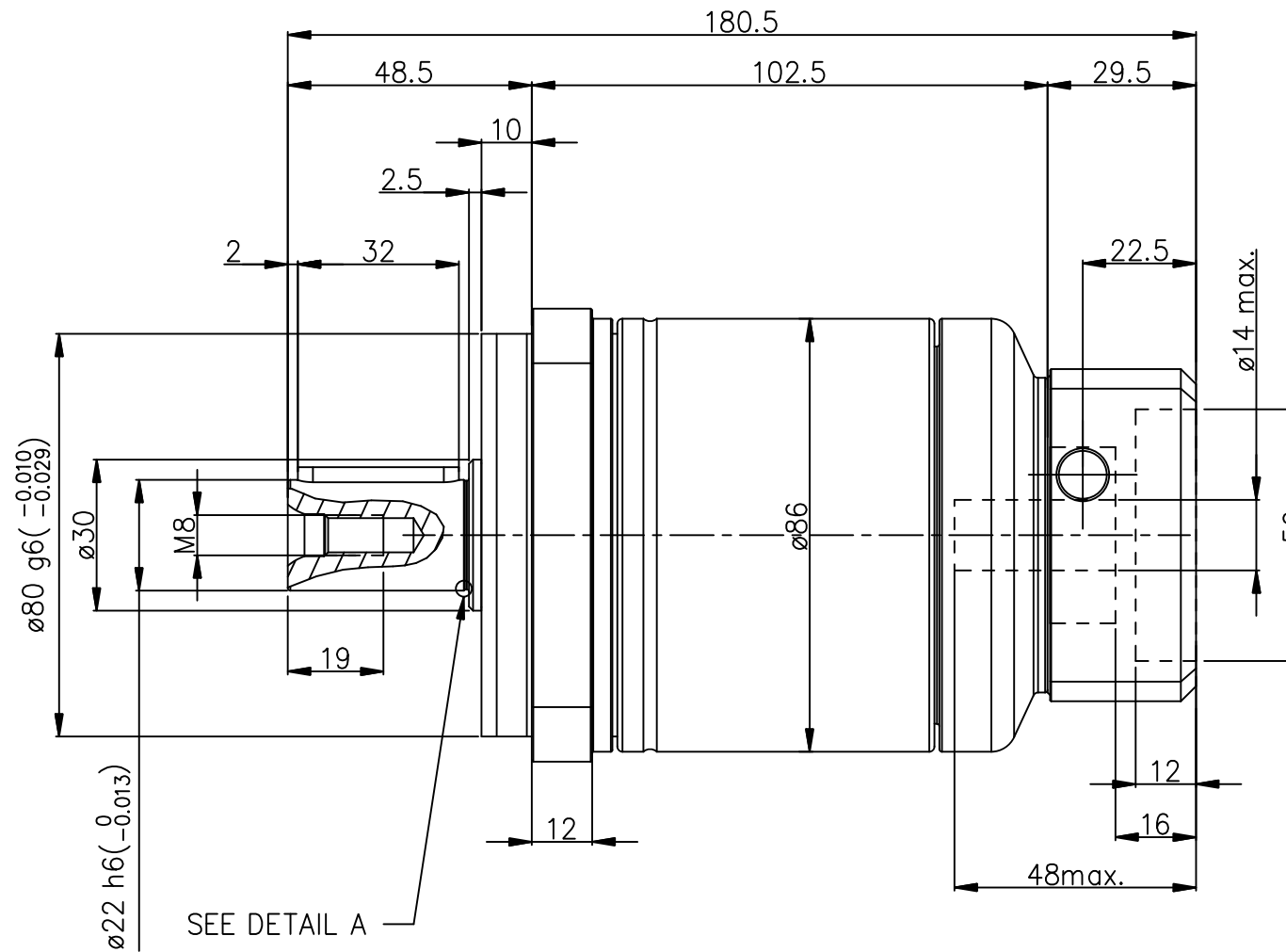
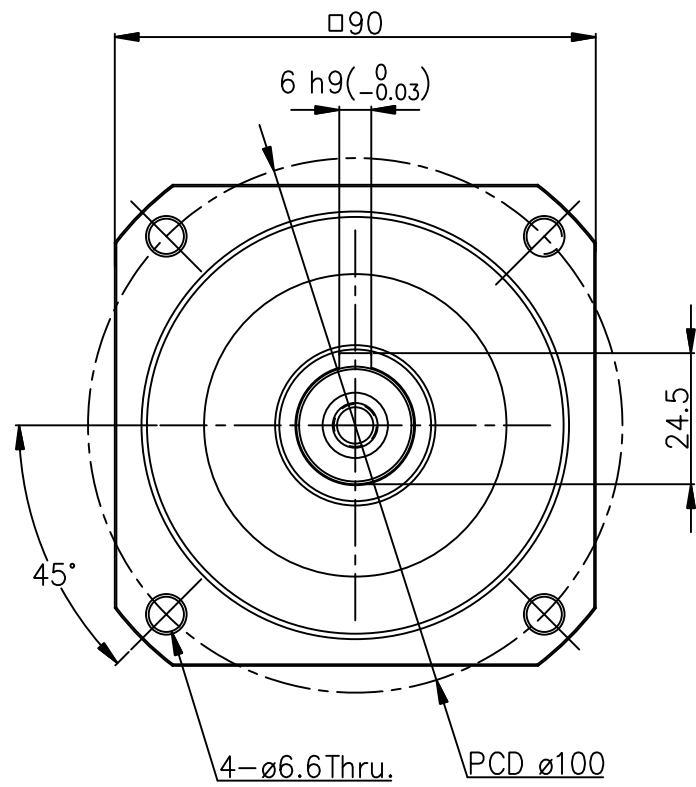


Dimensio [Unit : mm]



DETAIL A
SCALE 10:1

NOTE :
SHAFT OPTION S1: SMOOTH OUTPUT SHAFT(STANDARD)
SHAFT OPTION S2: OUTPUT SHAFT WITH KEYWAY

CM No.#	Conjunction Plate	Applicability By Ratio										
		15	16	20	25	30	35	40	50	70	81	100
CM1	11L30□	-	-	-	-	-	-	-	-	-	-	-
	11S30□	-	-	-	-	-	-	-	-	-	-	-
	17L30□	-	-	-	-	-	-	-	-	-	-	-
	17S30□	-	-	-	-	-	-	-	-	-	-	-
	23L20□	-	-	-	-	-	-	-	-	-	-	-
CM2	23S30□	-	-	-	-	-	-	-	-	-	-	-
	56B10□	-	-	-	-	-	-	-	-	-	-	-
	56B20□	-	-	-	-	-	-	-	-	-	-	-
	60A10□	-	-	-	-	-	-	-	-	-	-	-
	60A20□	-	-	-	-	-	-	-	-	-	-	-
	60A40□	-	-	-	-	-	-	-	-	-	-	-

Date	2015.01.08	Title	Cool Muscle Gear 2-stage
Scale	1 : 1		CM-PA2090
Size	A2	Dwg No.	CMPA20902-10
3RD Angle Projection			MUSCLE CO., LTD.