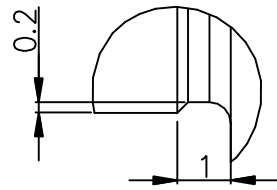
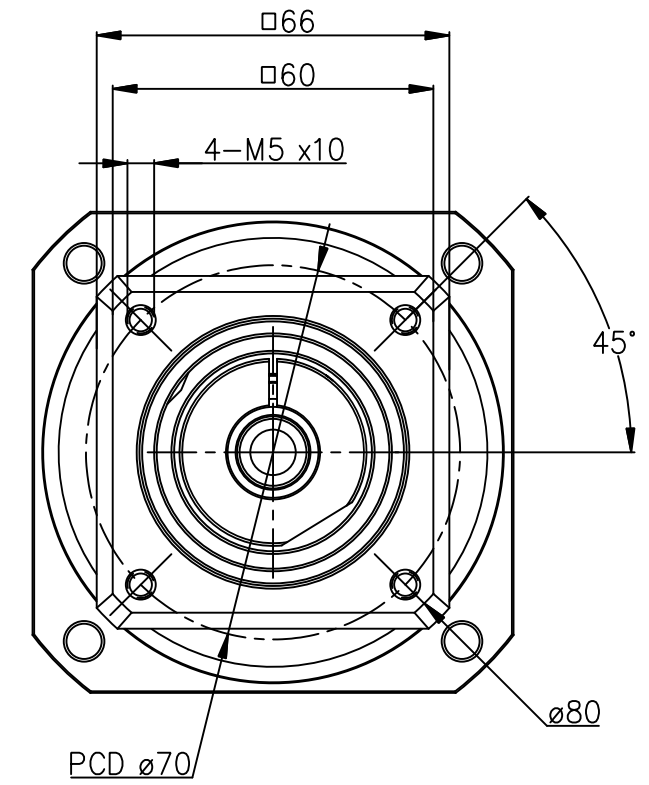
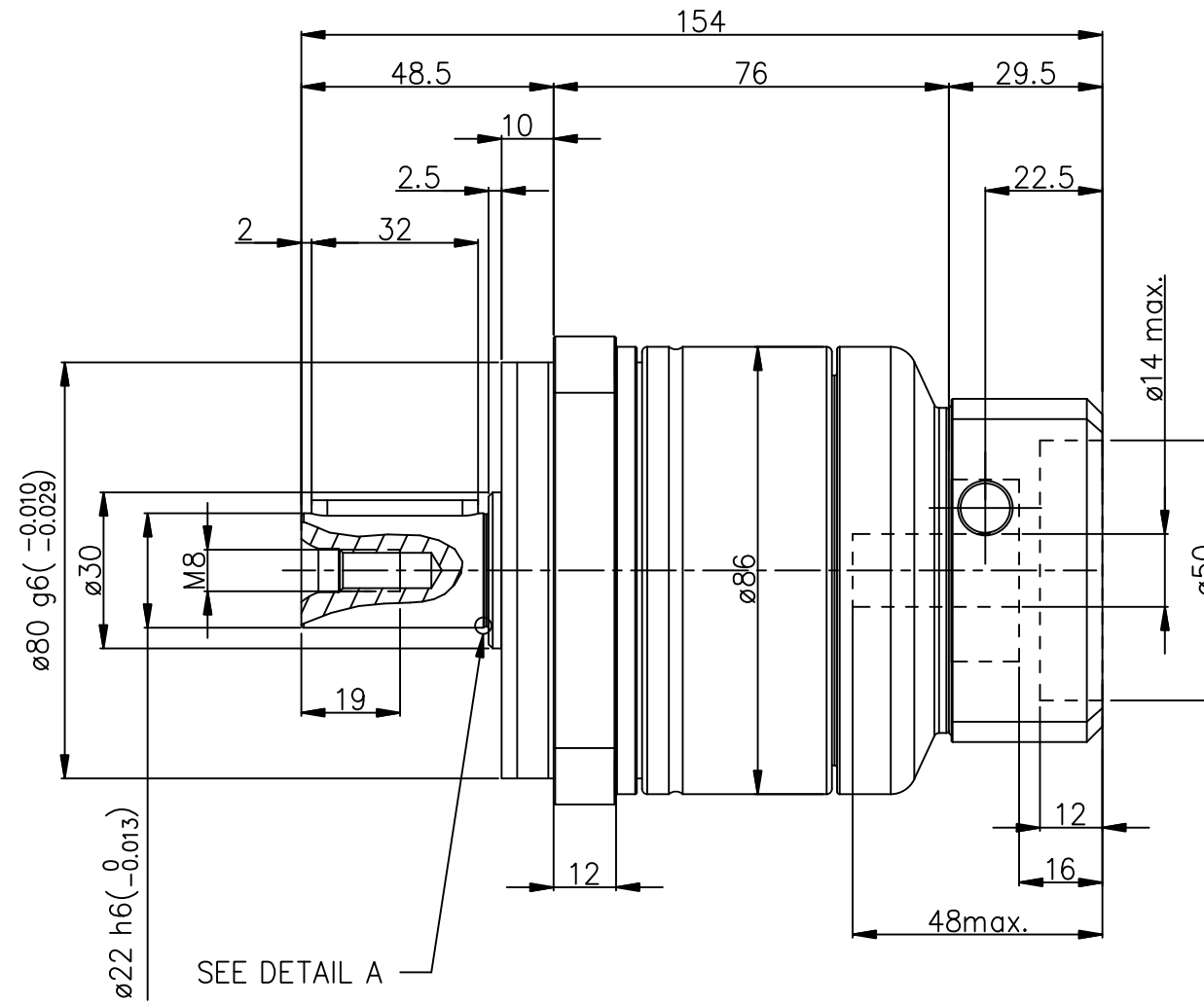
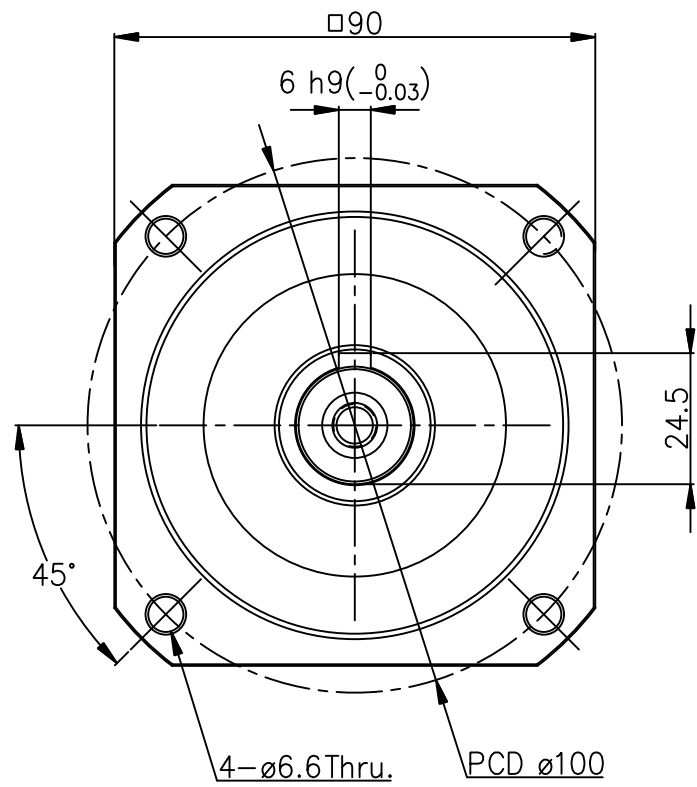


Dimensio [Unit : mm]



DETAIL A  
SCALE 10:1

NOTE :  
SHAFT OPTION S1: SMOOTH OUTPUT SHAFT(STANDARD)  
SHAFT OPTION S2: OUTPUT SHAFT WITH KEYWAY

CM No.#	Conjunction Plate	Applicability By Ratio					
		3	4	5	7	9	10
CM1	11L30□	-	-	-	-	-	-
	11S30□	-	-	-	-	-	-
	17L30□	-	-	-	-	-	-
	17S30□	-	-	-	-	-	-
	23L20□	-	-	-	-	-	-
CM2	23S30□	-	-	-	-	-	-
	56B10□	-	-	-	-	-	-
	56B20□	-	-	-	-	-	-
	60A10□	-	-	-	-	-	-
	60A20□	-	-	-	-	-	-
	60A40□	-	-	-	-	-	-

Date	2015.01.08	Title	Cool Muscle Gear 1-stage
Scale	1 : 1		CM-PA2090
Size	A2	Dwg No.	CMPA20901-10
3RD Angle Projection			MUSCLE CO., LTD.