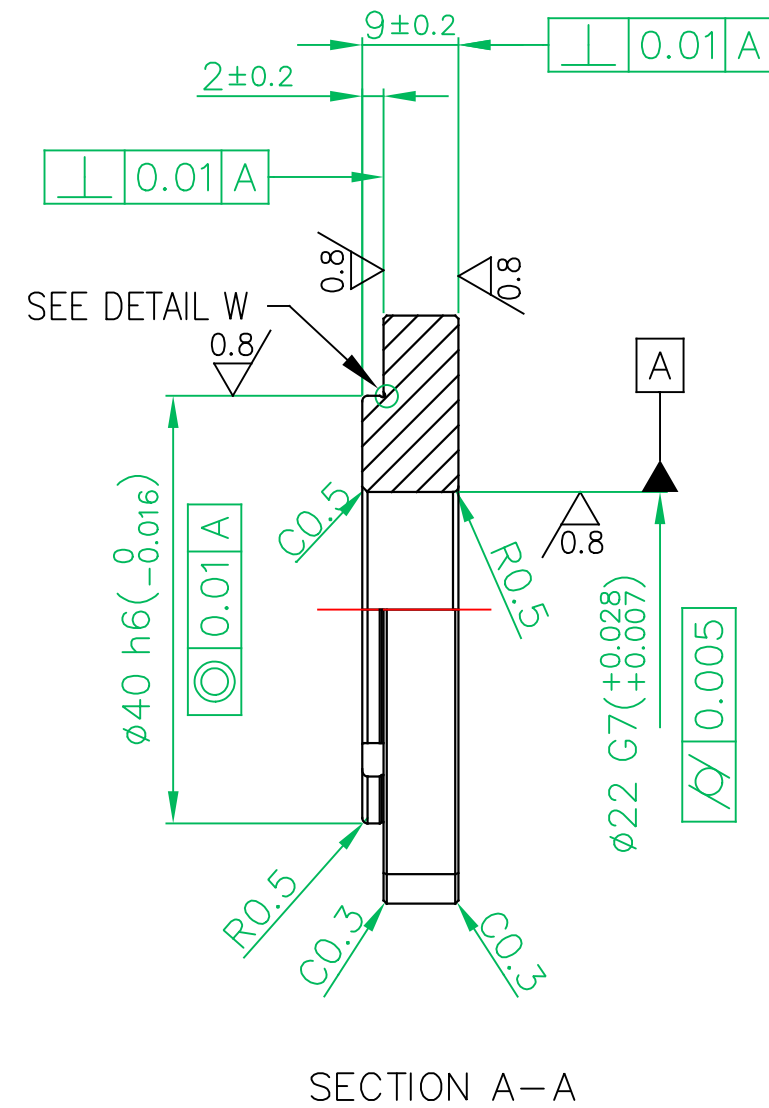
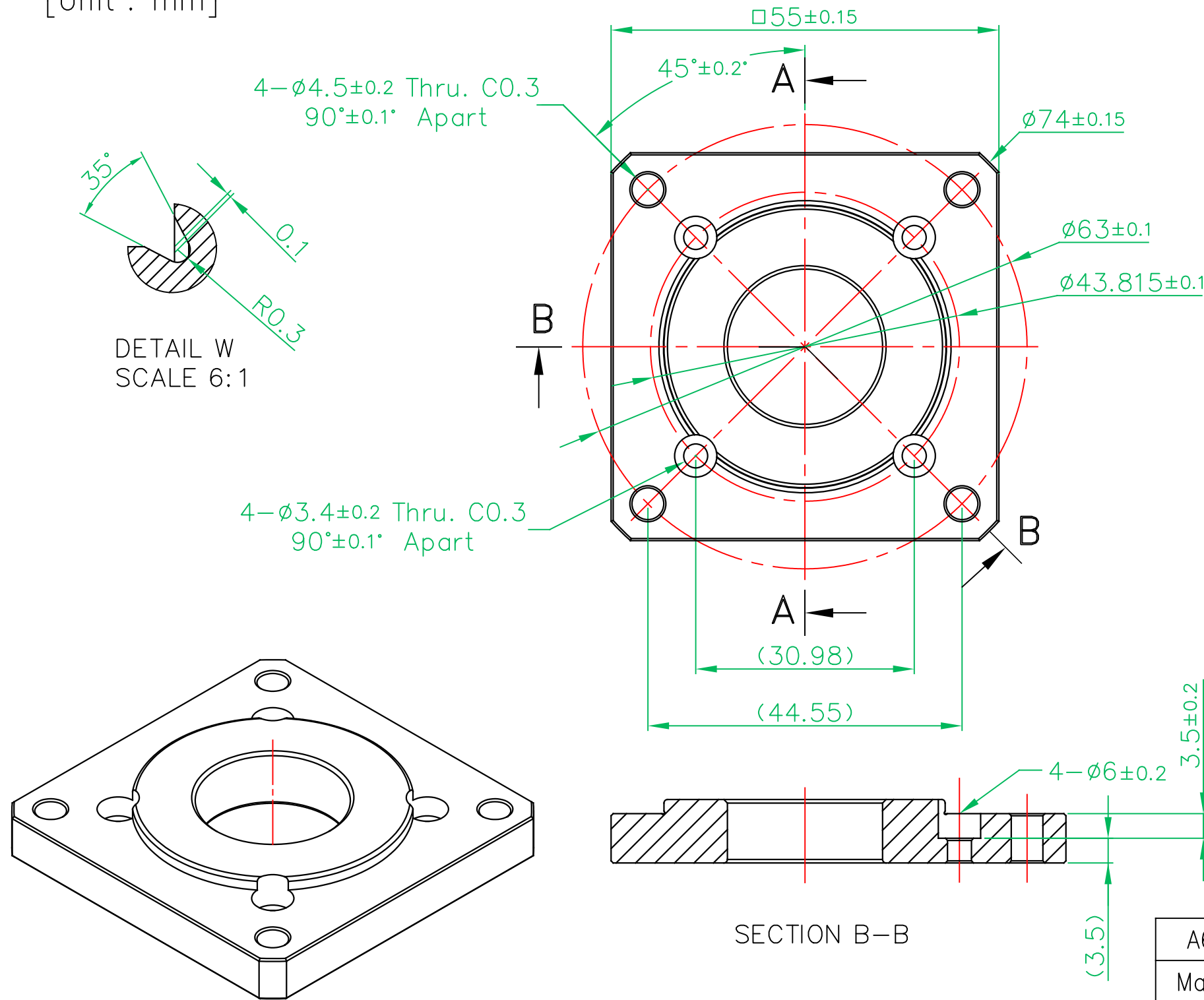


[Unit : mm]



A6061	T6	60±5HRB	
Material	Heat Treatment	Hardness	Note
DATE	2025/5/01	TITLE Conjunction Plate	
SCALE	1:1	For CM1-17L/S	
SIZE	A4	DWG NO. CM-CJPLATE-17	Rev. 1
3RD ANGLE PROJECTION			