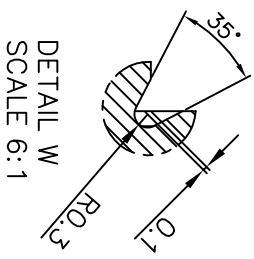
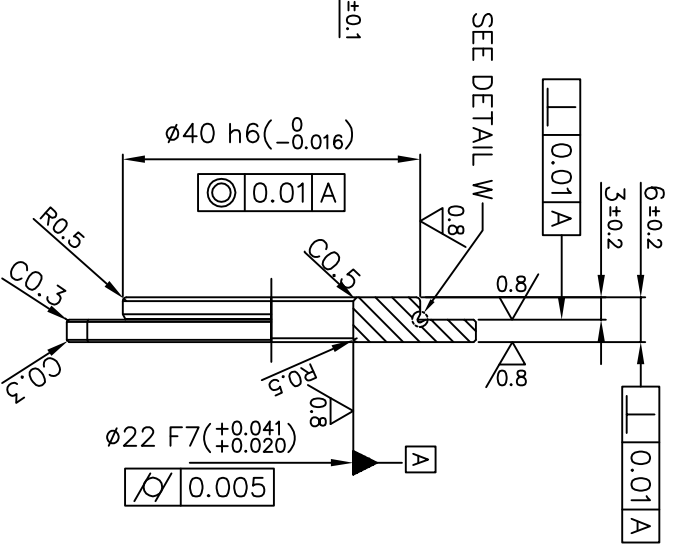
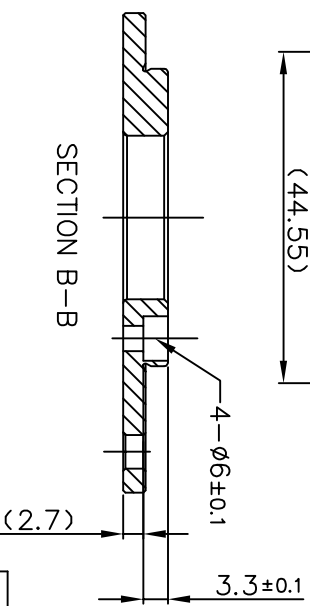
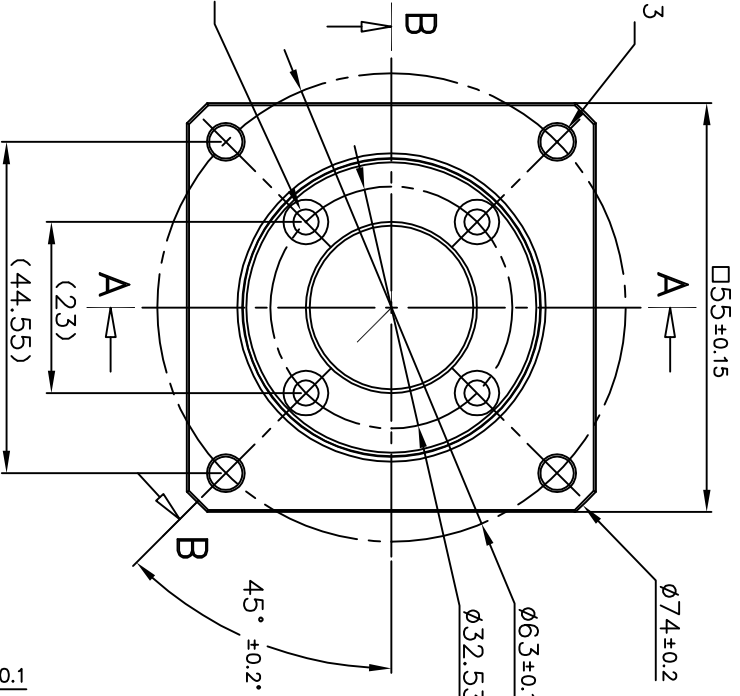
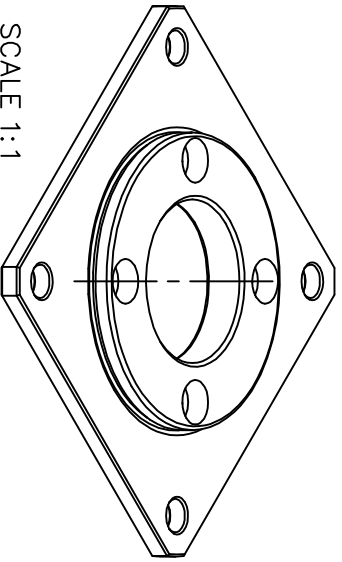


[Unit : mm]



4- $\phi 4.5 \pm 0.1$ Thru. C0.3
90° ± 0.2 ' Apart

4- $\phi 3.4 \pm 0.1$ Thru. C0.3
90° ± 0.2 ' Apart



Material	A6061	Heat Treatment	T6	Hardness	60±5HRB	Mass=	0.026kg
Date	2008.05.10	Scale	1:1	Title	Conjunction Plate For CM1-11L/S		
Size	A4	Dwg No.	CM-CJPLATE-11 ACM11AP01-10				
3RD Angle Projection		MUSCLE CO., LTD.					