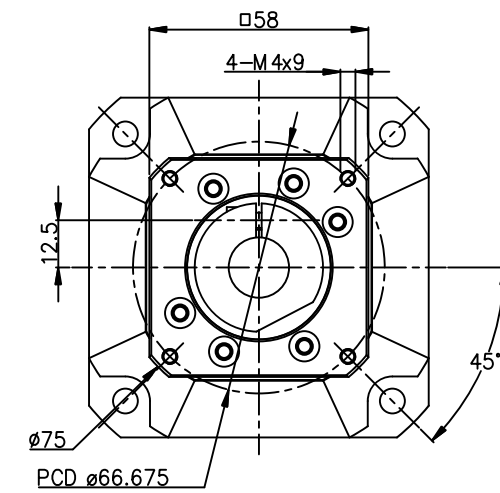
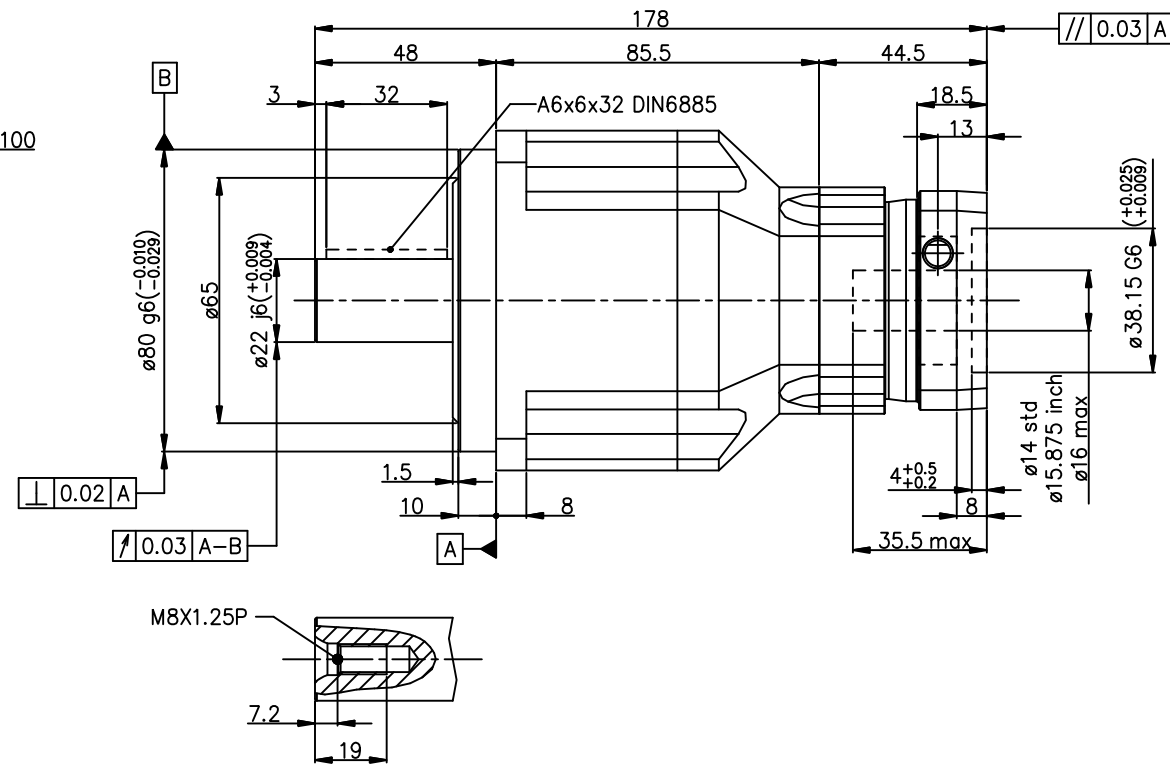
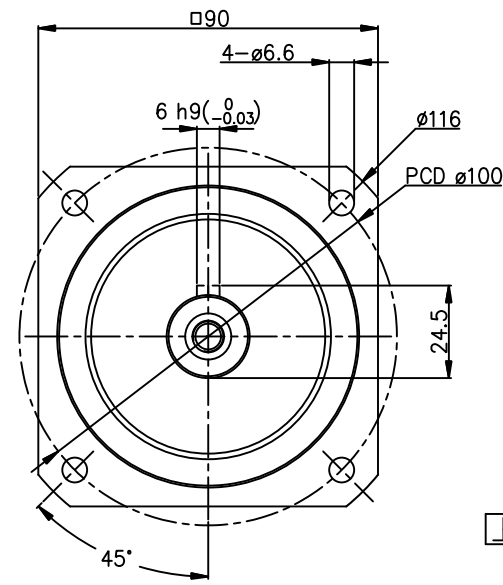
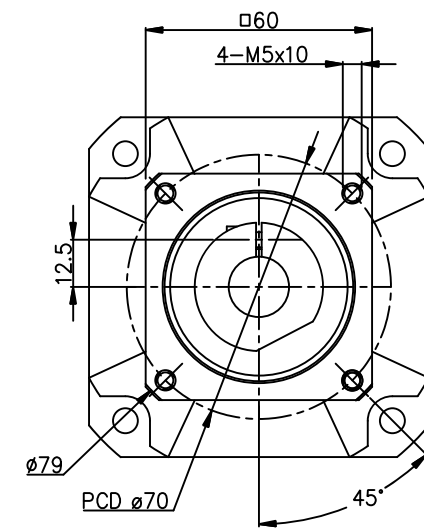
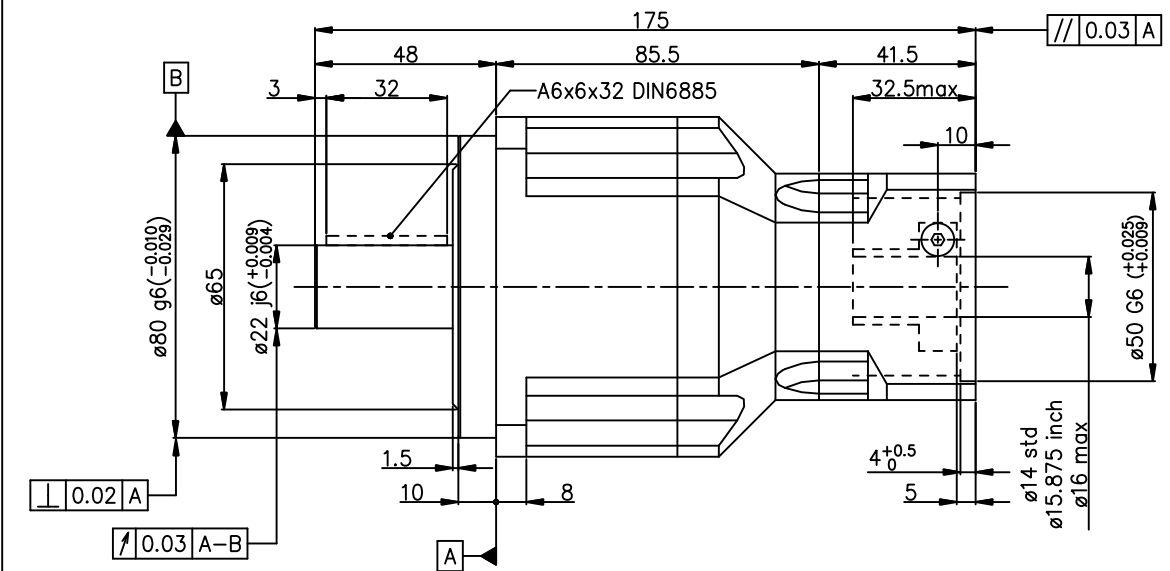


Dimension [Unit : mm]



CM2 : 60A10□ / 60A20□ / 60A40□



NOTE :
 SHAFT OPTION S1: SMOOTH OUTPUT SHAFT(STANDARD)
 SHAFT OPTION S2: OUTPUT SHAFT WITH KEYWAY

CM No.#	Conjunction Plate	Applicability By Ratio												
		15	20	25	30	35	40	45	50	60	70	80	90	100
CM1	11L30□													
	11S30□													
	17L30□	-	-	-	-	-	-	-	-	-	-	-	-	-
	17S30□													
	23L20□													
CM2	23S30□													
	56B10□	-	-											
	56B20□													
	60A10□													
	60A20□	-												
60A40□														

Date	2014.05.07 (2008.04.24/2011.05.17)	Title	Cool Muscle Gear 2-stage CM-AB090
Scale	1 : 1	Dwg No.	CMSAB0902-30
Size	A1		
3RD Angle Projection			