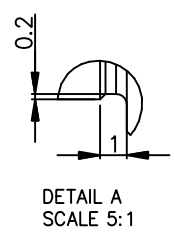
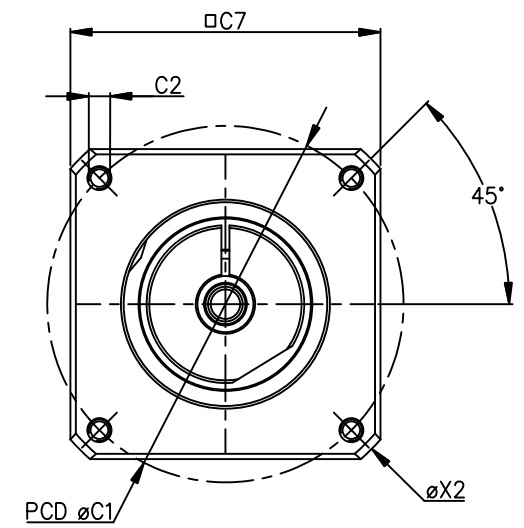
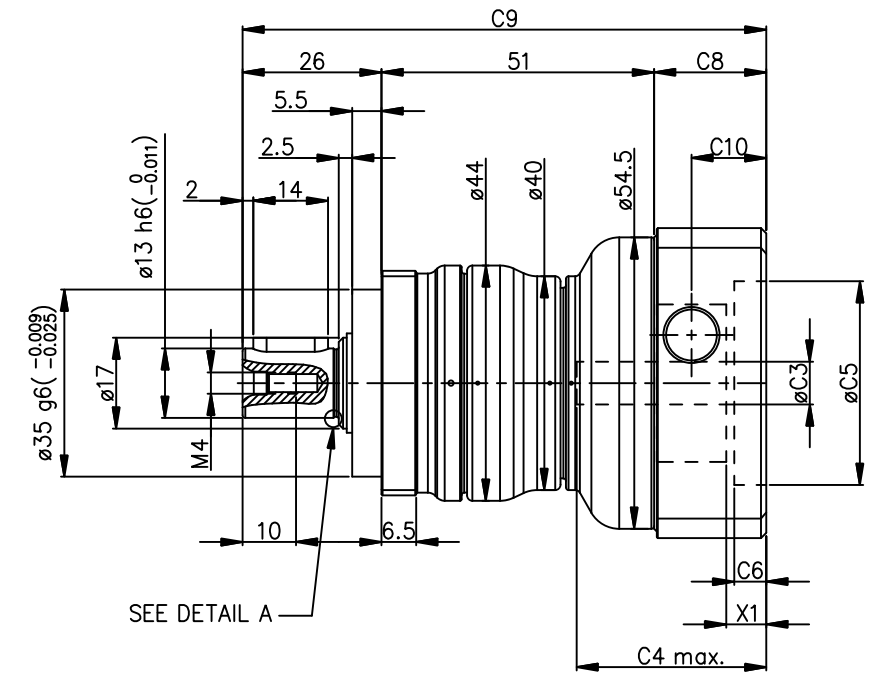
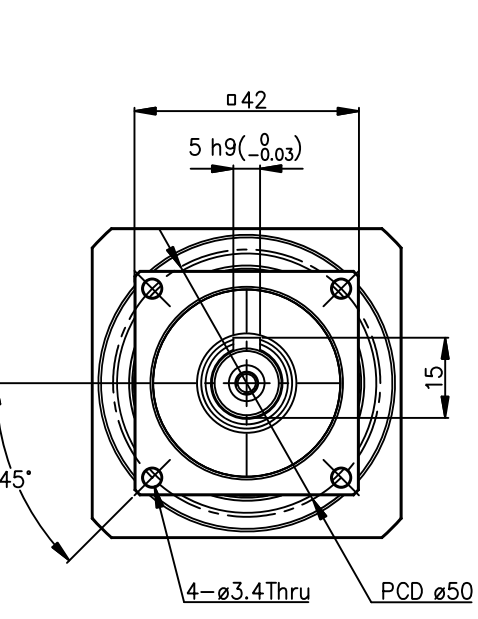
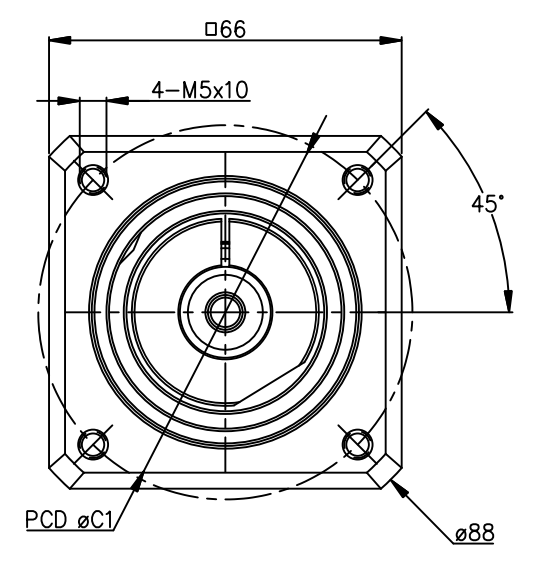
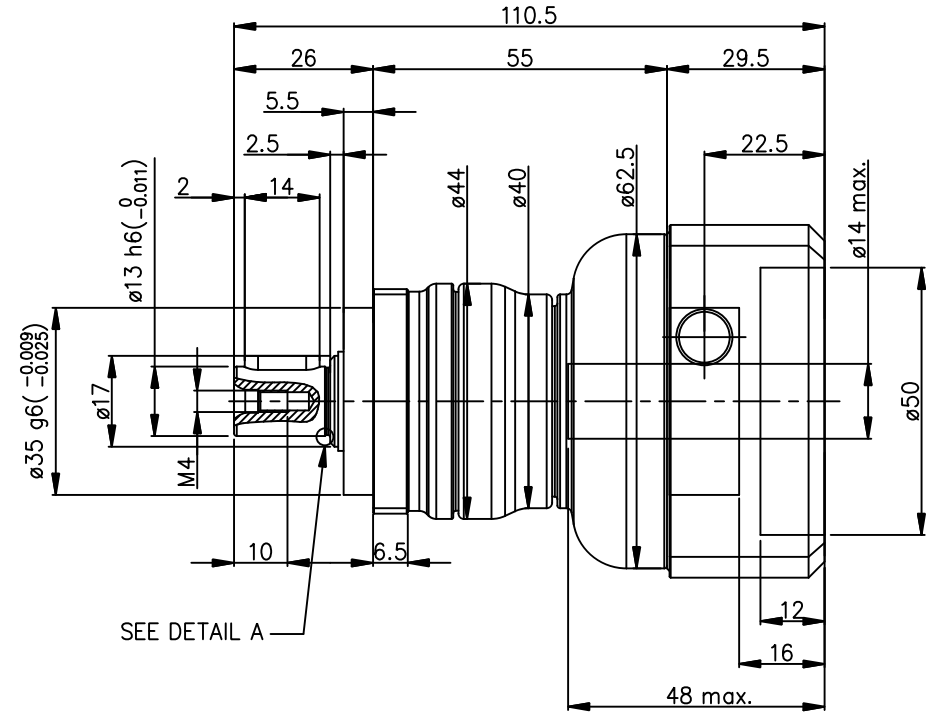
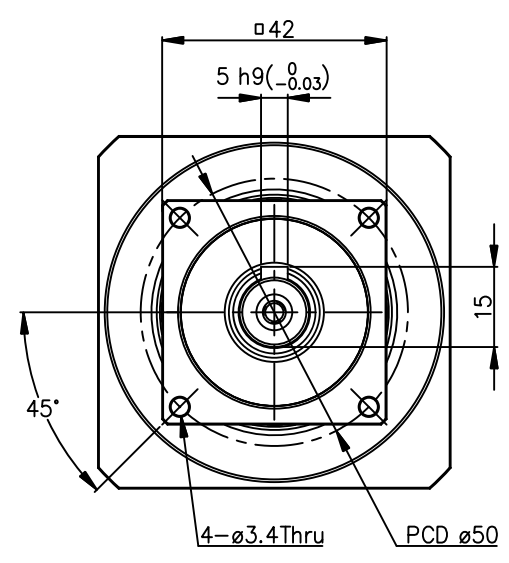


A
B
C
D
E
F
G
H



CM2 : 60A40□



NOTE :
SHAFT OPTION S1: SMOOTH OUTPUT SHAFT(STANDARD)
SHAFT OPTION S2: OUTPUT SHAFT WITH KEYWAY

CM No.#	Conjunction Plate	Applicability By Ratio						Dimension [Unit : mm]										
		3	4	5	7	9	10	C1	C2	C3	C4	C5	C6	C7	C8	C9	C10	X1
CM1	11L30□							63	4-M4x9	8 max	32.5	40	4	18	95	11	4.5	74
	11S30□																	
	17L30□																	
	17S30□																	
	23L20□																	
CM2	23S30□							66.675	4-M5x10	8 max	35.5	38.1	6	21	98	14	7.5	77
	56B10□																	
	56B20□																	
	60A10□																	
	60A20□																	
60A40□																		

Date	2015.01.08	Title	Cool Muscle Gear 1-stage
Scale	1 : 1		CM-PA2042
Size	A2	Dwg No.	CMPA20421-10
3RD Angle Projection			MUSCLE CO., LTD.