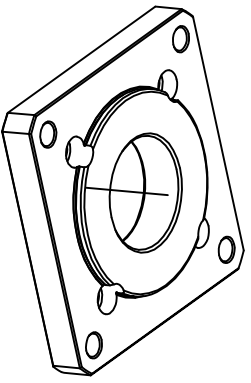
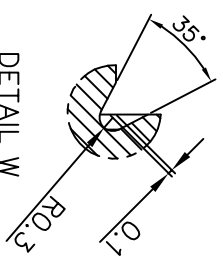


[Unit : mm]



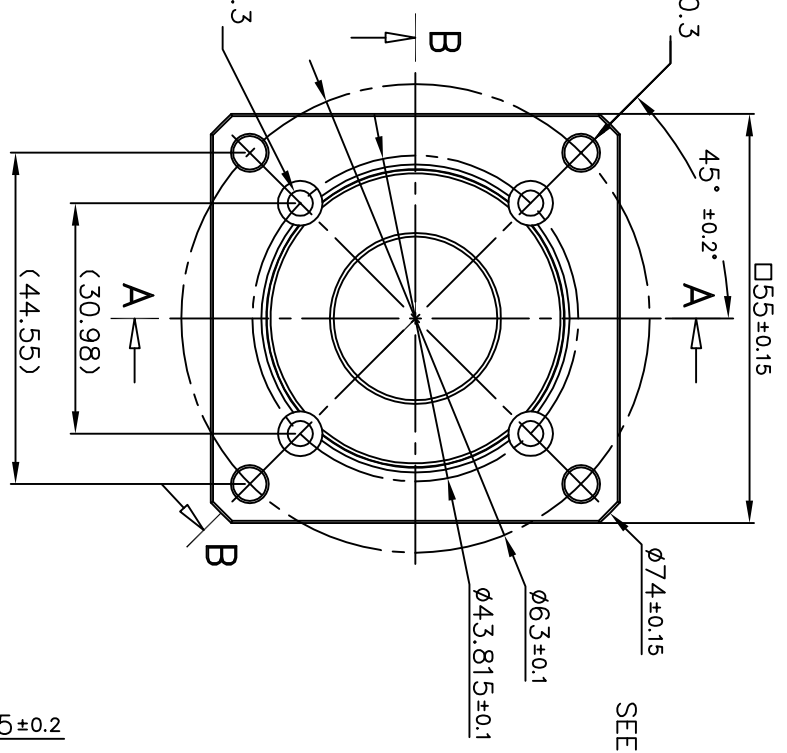
SCALE 7:10

DETAIL W
SCALE 6:1

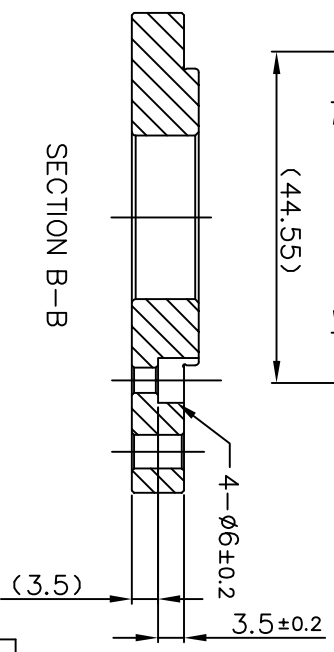


4- $\phi 4.5 \pm 0.2$ Thru. CO.3
90° $\pm 0.1^\circ$ Apart

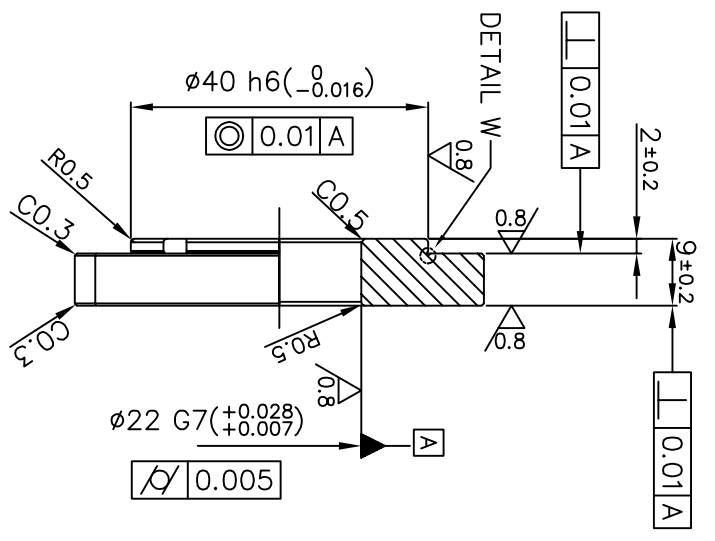
4- $\phi 3.4 \pm 0.2$ Thru. CO.3
90° $\pm 0.1^\circ$ Apart



SECTION B-B



SEE DETAIL W



SECTION A-A

Material	A6061	Heat Treatment	T6	Hardness	60±5HRB	Note
Date	2008.05.10	Title	Conjunction Plate For CM1-17L/S			
Scale	1 : 1	Dwg No.	CM-CJPLATE-17 ACM17AP01-10			
Size	A4	3RD Angle Projection				
MUSCLE CO., LTD.						