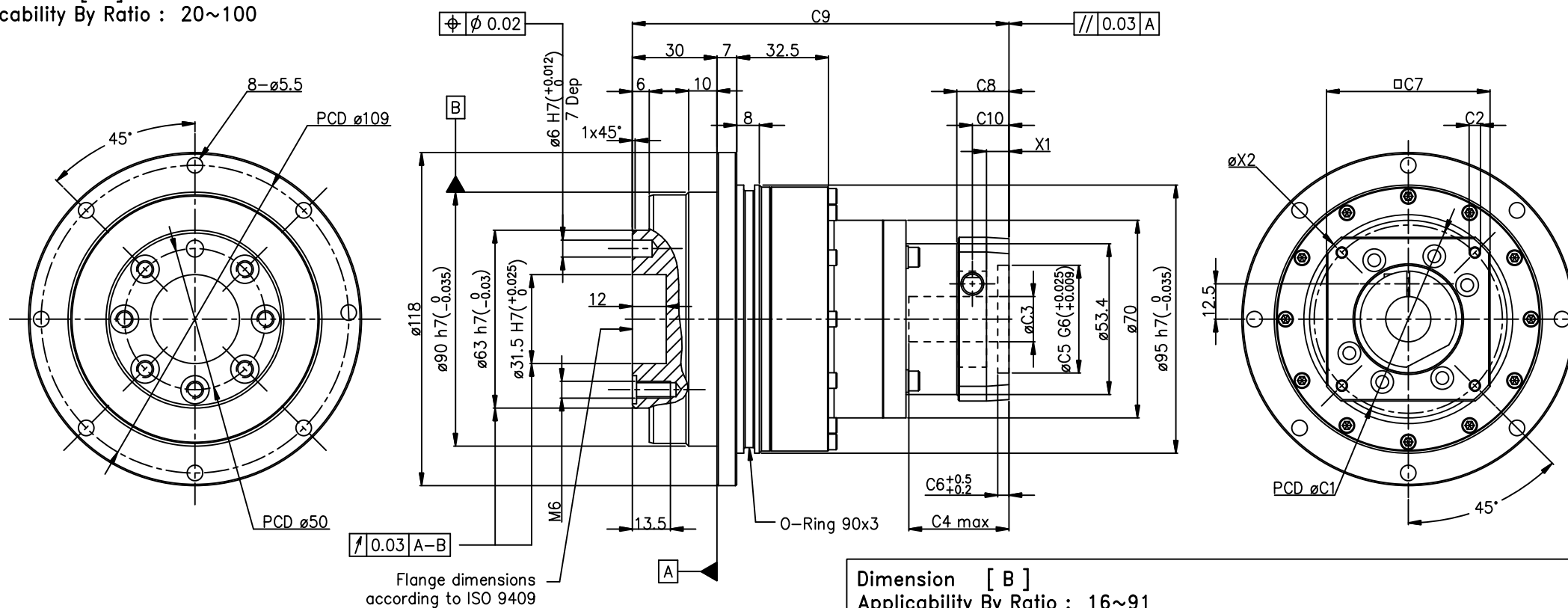
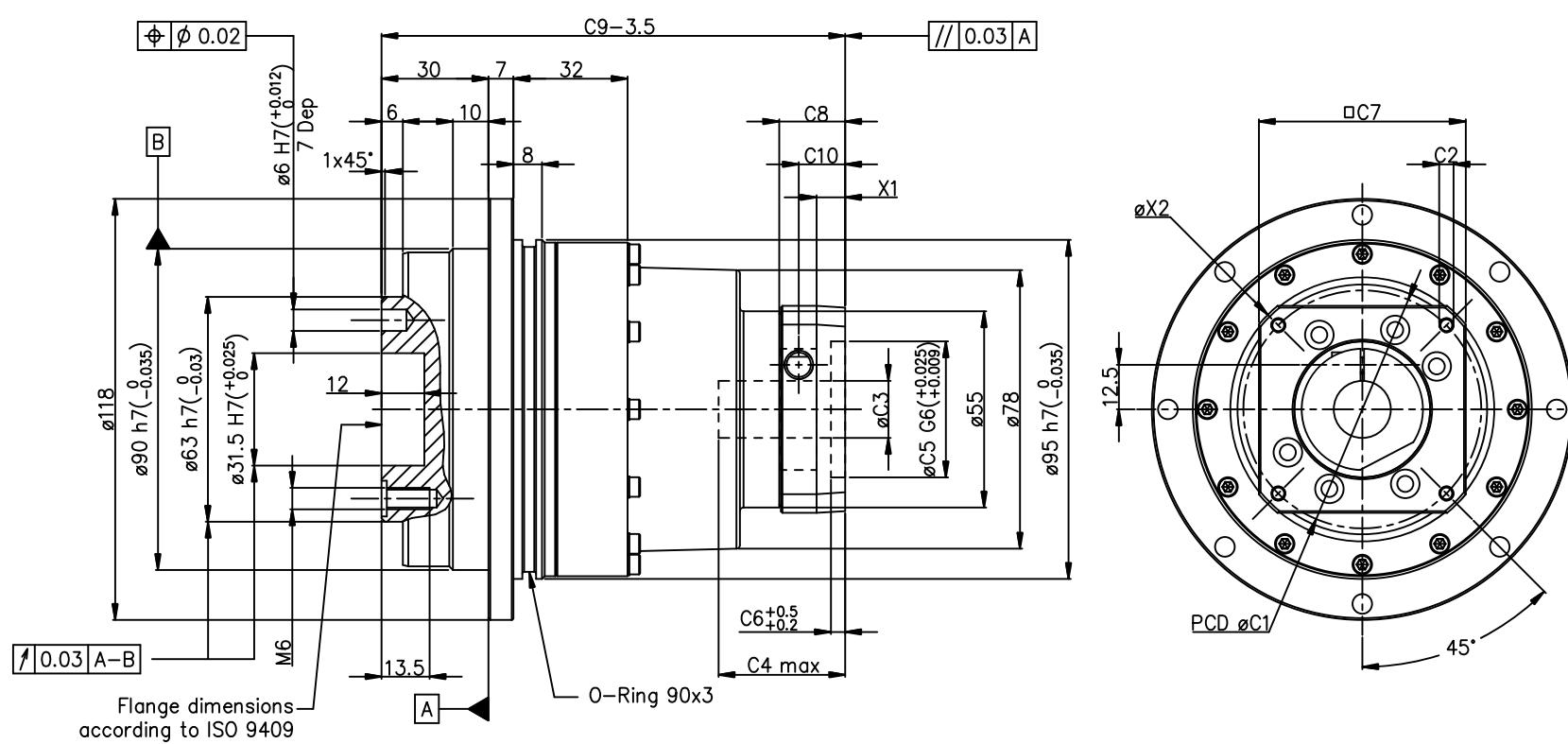


Dimension [A]
 Applicability By Ratio : 20~100



Flange dimensions according to ISO 9409

Dimension [B]
 Applicability By Ratio : 16~91



Flange dimensions according to ISO 9409

CM No.#	Conjunction Plate	Applicability By Ratio							Dimension [Unit : mm]																
		Dimension [A]							Dimension [B]					Dimension											
		20	25	35	40	50	70	100	16	21	31	61	91	C1	C2	C3	C4	C5	C6	C7	C8	C9	C10	X1	X2
CM1	11L30□	-	-	-	-	-	-	-	-	-	-	-	-	-	-	-	-	-	-	-	-	-	-	-	
	11S30□	-	-	-	-	-	-	-	-	-	-	-	-	-	-	-	-	-	-	-	-	-	-	-	
	17L30□	-	-	-	-	-	-	-	-	-	-	-	-	-	-	-	-	-	-	-	-	-	-	-	
	17S30□	-	-	-	-	-	-	-	-	-	-	-	-	-	-	-	-	-	-	-	-	-	-	-	
	23L20□	-	-	-	-	-	-	-	-	-	-	-	-	-	-	-	-	-	-	-	-	-	-	-	-
CM2	23S30□	-	-	-	-	-	-	-	-	-	-	-	-	-	-	-	-	-	-	-	-	-	-	-	
	56B10□	-	-	-	-	-	-	-	-	-	-	-	-	66.675	4-M4x9	14 std	35.5	38.15	4	58	18.5	133.5	13	8	75
	56B20□	-	-	-	-	-	-	-	-	-	-	-	-	-	-	15.875 inch	36	50	8	60	19	134	13.5	8.5	79
	60A10□	-	-	-	-	-	-	-	-	-	-	-	-	-	-	16 max	-	-	-	-	-	-	-	-	-
	60A20□	-	-	-	-	-	-	-	-	-	-	-	-	-	-	-	-	-	-	-	-	-	-	-	-
60A40□	-	-	-	-	-	-	-	-	-	-	-	-	-	-	-	-	-	-	-	-	-	-	-	-	

Date	2014.05.12 <small>(2008.04.30/2011.05.19)</small>	Title	Cool Muscle Gear 2-stage CM-AD090
Scale	1 : 1	Dwg No.	CMSAD0902-30
Size	A1		
3RD Angle Projection			