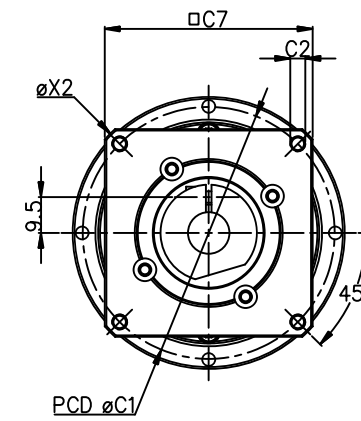
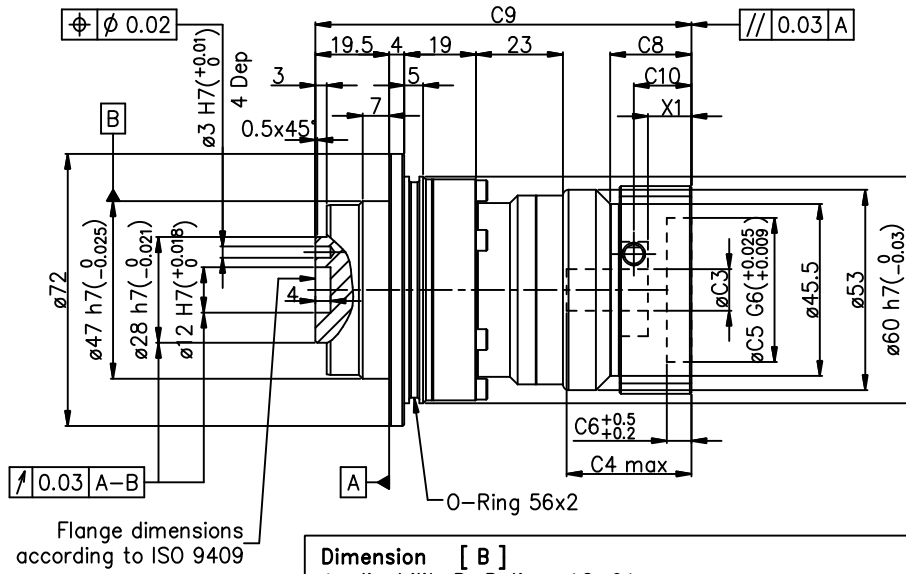
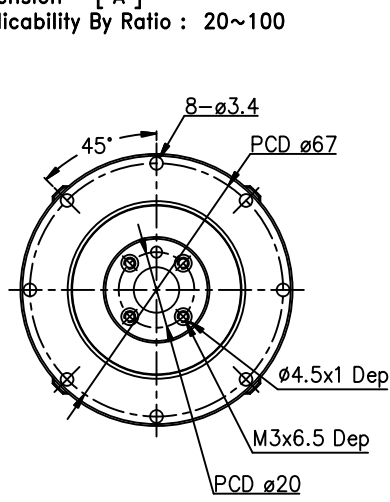
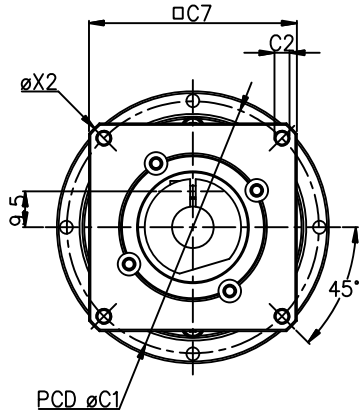
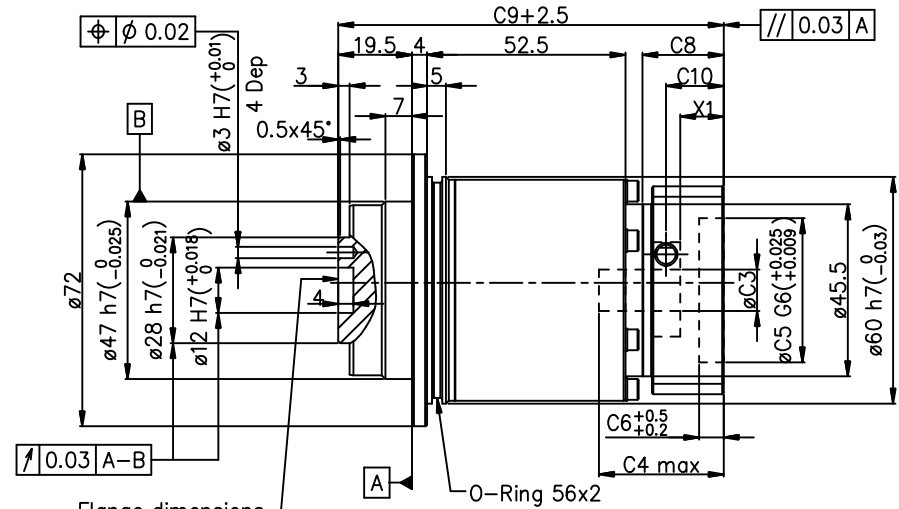


Dimension [ A ]  
Applicability By Ratio : 20~100



Flange dimensions according to ISO 9409

Dimension [ B ]  
Applicability By Ratio : 16~91



Flange dimensions according to ISO 9409

CM No.#	Conjunction Plate	Applicability By Ratio																								
		Dimension [ A ]							Dimension [ B ]							Dimension [Unit : mm]										
		20	25	35	40	50	70	100	16	21	31	61	91	C1	C2	C3	C4	C5	C6	C7	C8	C9	C10	X1	X2	
CM1	11L30□												63			26	40	3.5		14.5	92.5	8.25	4.5			
	11S30□													4-M4x9	11 max											
	17L30□																	33	38.15			21.5	99.5	15.25	11.5	
	17S30□																			6.5						
	23L20□																									74
23S30□																										
CM2	56B10□												66.675													
	56B20□																									
	60A10□												70	4-M5x10		31	50			60	19.5	97.5	13.25	9.5	80	
	60A20□																									
60A40□																										

Date	2014.05.08 (2008.04.30/2011.05.18)	Title	Cool Muscle Gear 2-stage CM-ADO47
Scale	1 : 1	Dwg No.	CMSAD0472-30
Size	A2		
3RD Angle Projection			MUSCLE CO., LTD.