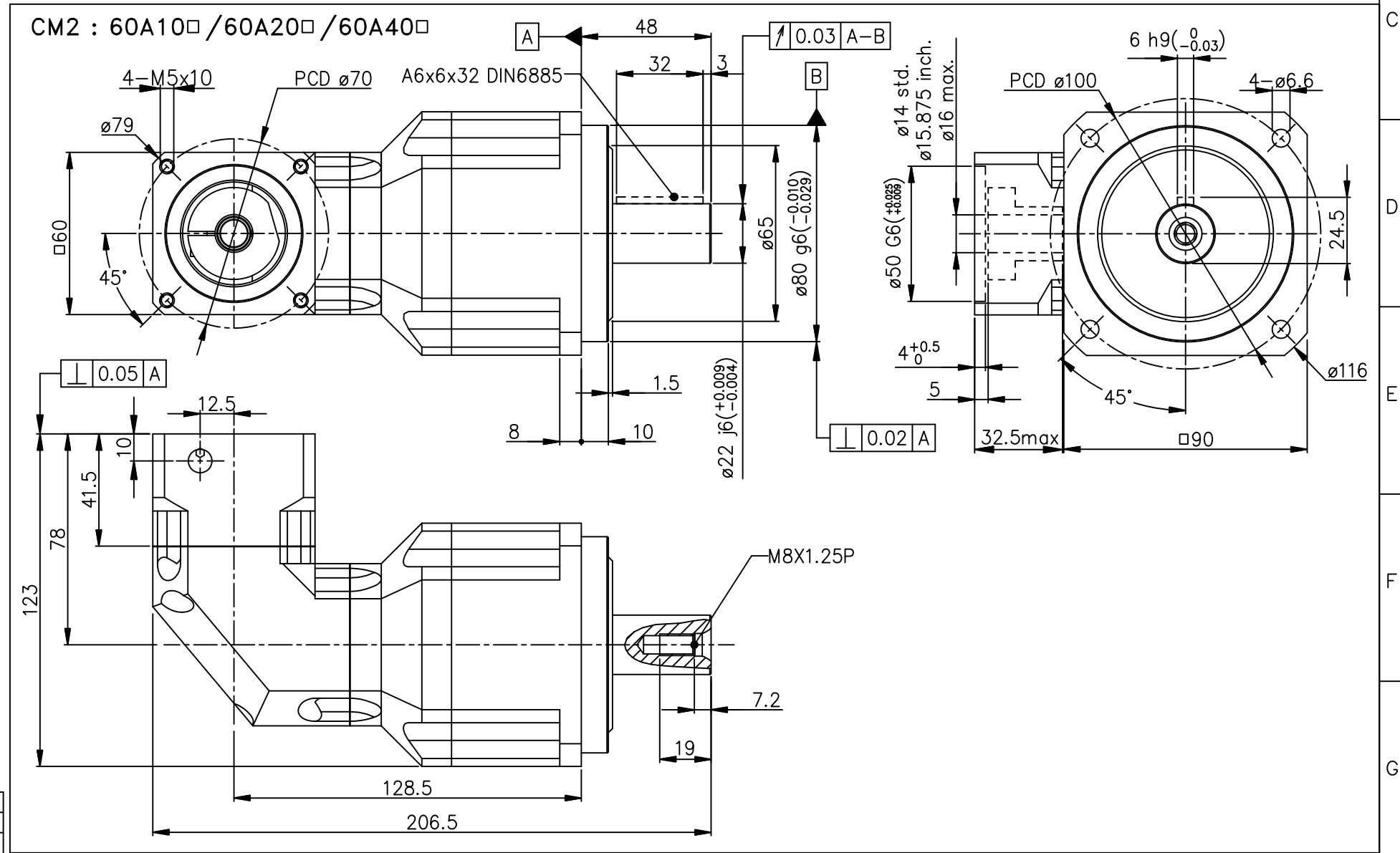
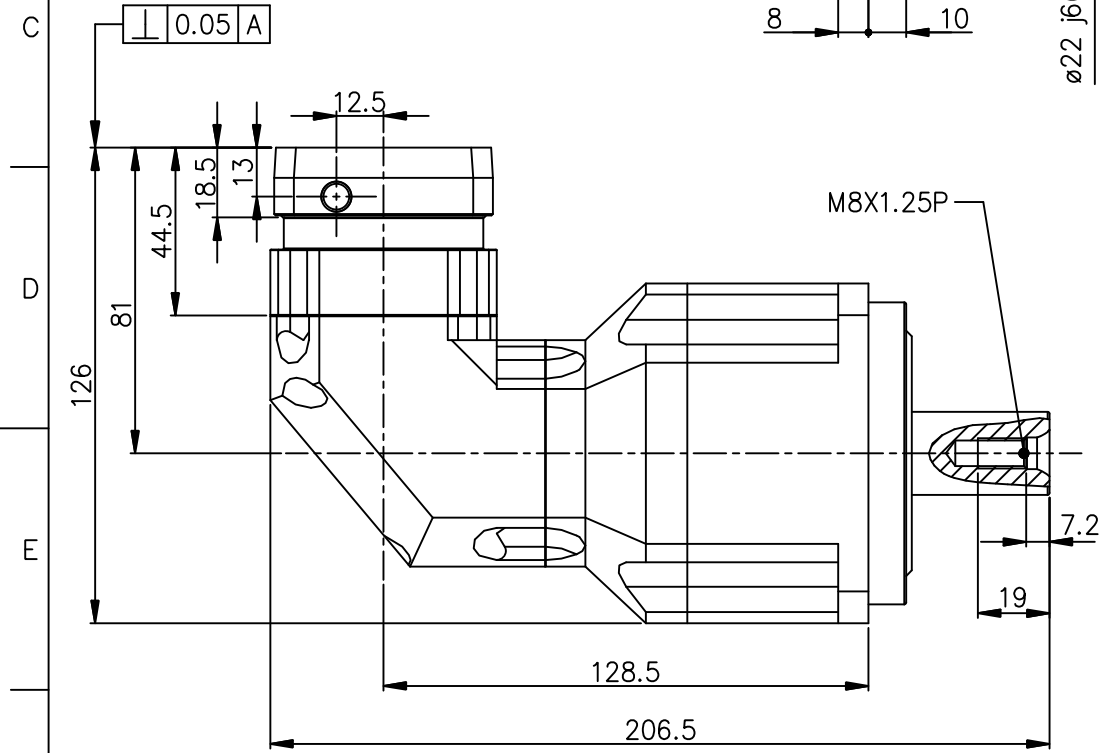
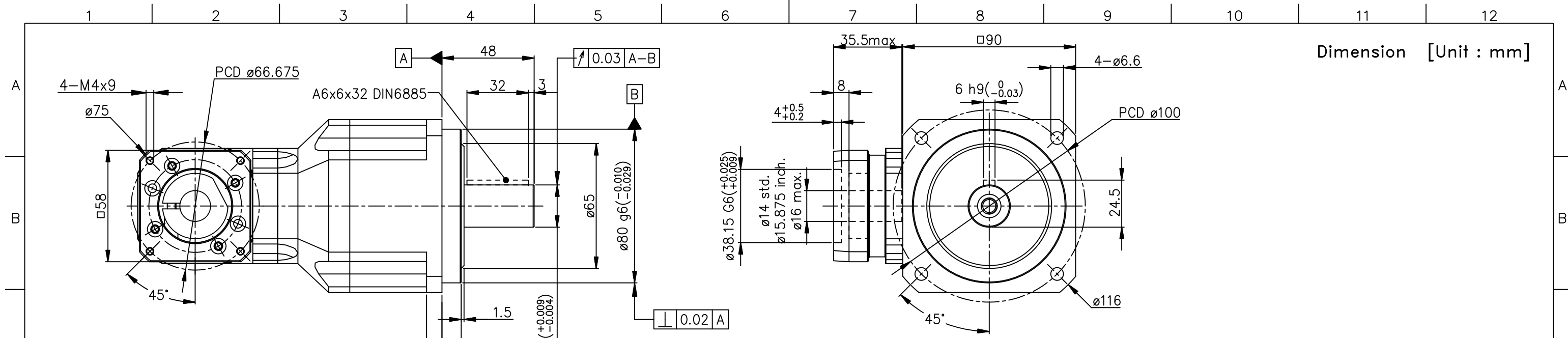


Dimension [Unit : mm]



NOTE :
 SHAFT OPTION S1: SMOOTH OUTPUT SHAFT(STANDARD)
 SHAFT OPTION S2: OUTPUT SHAFT WITH KEYWAY

CM No.#	Conjunction Plate	Applicability By Ratio															
		25	30	35	40	45	50	60	70	80	90	100	120	140	160	180	200
CM1	11L30□	-	-	-	-	-	-	-	-	-	-	-	-	-	-	-	-
	11S30□	-	-	-	-	-	-	-	-	-	-	-	-	-	-	-	-
	17L30□	-	-	-	-	-	-	-	-	-	-	-	-	-	-	-	-
	17S30□	-	-	-	-	-	-	-	-	-	-	-	-	-	-	-	-
	23L20□	-	-	-	-	-	-	-	-	-	-	-	-	-	-	-	-
23S30□	-	-	-	-	-	-	-	-	-	-	-	-	-	-	-	-	-
CM2	56B10□	-	-	-	-	-	-	-	-	-	-	-	-	-	-	-	-
	56B20□	-	-	-	-	-	-	-	-	-	-	-	-	-	-	-	-
	60A10□	-	-	-	-	-	-	-	-	-	-	-	-	-	-	-	-
	60A20□	-	-	-	-	-	-	-	-	-	-	-	-	-	-	-	-
60A40□	-	-	-	-	-	-	-	-	-	-	-	-	-	-	-	-	-

Date	2014.05.08 (2008.05.15/2011.05.17)	Title	Cool Muscle Gear 2-stage CM-ABR090
Scale	1 : 1	Dwg No.	CMABR0902-30
Size	A1		
3RD Angle Projection			